

RL 65-21/12H

DC centrifugal compact fan

single inlet



ebm-papst St. Georgen GmbH & Co. KG

Hermann-Papst-Straße 1

D-78112 St. Georgen

Phone +49 7724 81-0

Fax +49 7724 81-1309

info2@de.ebmpapst.com

www.ebmpapst.com

Nominal data

Type	RL 65-21/12H	
Nominal voltage	VDC	12
Nominal voltage range	VDC	6.8 .. 13.2
Speed	min ⁻¹	4900
Power input	W	19.2
Min. ambient temperature	°C	-20
Max. ambient temperature	°C	55
Air flow	m ³ /h	61
Sound power level	B	6.8

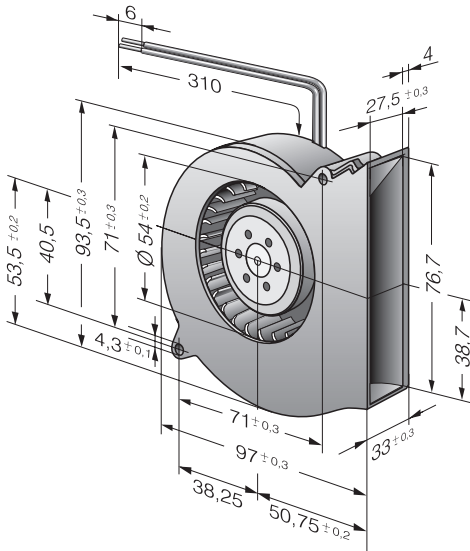
mi = max. load · me = max. efficiency · rfa = running at free air · cs = customer specs · cu = customer unit
Subject to alterations



Technical features

Dimensions	97 x 93.5 x 33 mm
General description	<p>Particular design features:</p> <p>Optional Vario-Pro: Highly flexible software configuration for the fan ensures an easily customisable solution to meet the individual requirements of your application.</p> <p>Pressure-optimised blower. Noise-optimised air outlet in the scroll housing.</p> <p>Forward-curved impeller.</p> <p>Integrated contact latches for efficient installation.</p> <p>General features:</p> <p>Scroll housing and impeller made of fibreglass-reinforced plastic.</p> <p>Electronic commutation completely integrated.</p> <p>Protected against reverse polarity and locking.</p> <p>Direction of air flow: axial air intake, centrifugal air exhaust out of the outlet.</p> <p>Connection via single strands AWG 26, TR 64, bared and tin-plated.</p> <p>Mass: 170 g.</p>
Connection line	Single strands AWG 26, TR 64, bared and tin-plated.
Direction of air flow	Axial air intake, centrifugal air exhaust out of the outlet.
Bearing	Ball bearings
Lifetime L10 at 40 °C	55000 h
Lifetime L10 at maximum temperature	37500 h
Mass	0.170 kg
Housing material	Scroll housing of fiberglass-reinforced plastic.
Material of impeller	Fiberglass-reinforced plastic
Motor protection	Protected against reverse polarity and locking.

Product drawing



Charts: Air flow

