

**ebm-papst St. Georgen GmbH & Co. KG**

Hermann-Papst-Str. 1

D-78112 St. Georgen

Phone +49 (0) 7724 81-0

Fax +49 (0) 7724 81-1309

info2@de.ebmpapst.com

www.ebmpapst.com

Nominal data

Type	7450 ES	
Phase		1~
Nominal voltage	VAC	230
Frequency	Hz	50
Speed	min ⁻¹	2700
Power input	W	47.0
Min. ambient temperature	°C	-25
Max. ambient temperature	°C	60
Air flow	m ³ /h	380
Sound power level	B	6.8
Sound pressure level	dB(A)	60

ml = Max. load · me = Max. efficiency · fa = Running at free air · cs = Customer specs · cu = Customer unit
Subject to alterations

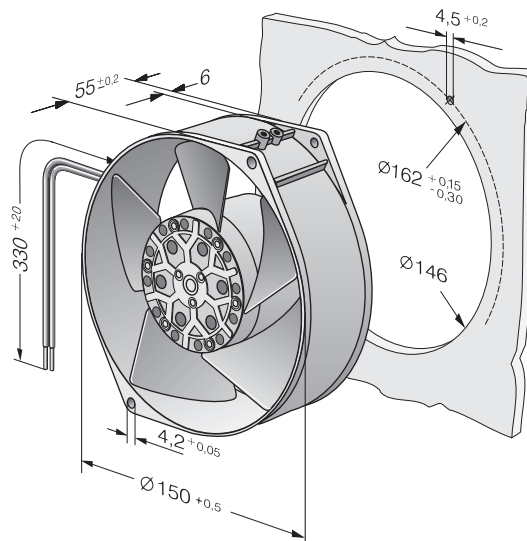


Technical features

Mass	1.1 kg
Dimensions	150 Ø x 55 mm
Material of impeller	Metal
Housing material	Metal
Direction of air flow	Inlet over bars
Direction of rotation	Left, looking at rotor
Bearing	Ball bearings
Lifetime L10 at 40 °C	63000 h
Lifetime L10 at maximum temperature	50000 h
Connection line	2 single strands. Housing with grounding lug for tapping screw M4 x 6 (TORX).
Motor protection	Protected from overload by a thermal switch
Approval	VDE, CSA, UL, CE



Product drawing



Charts

